

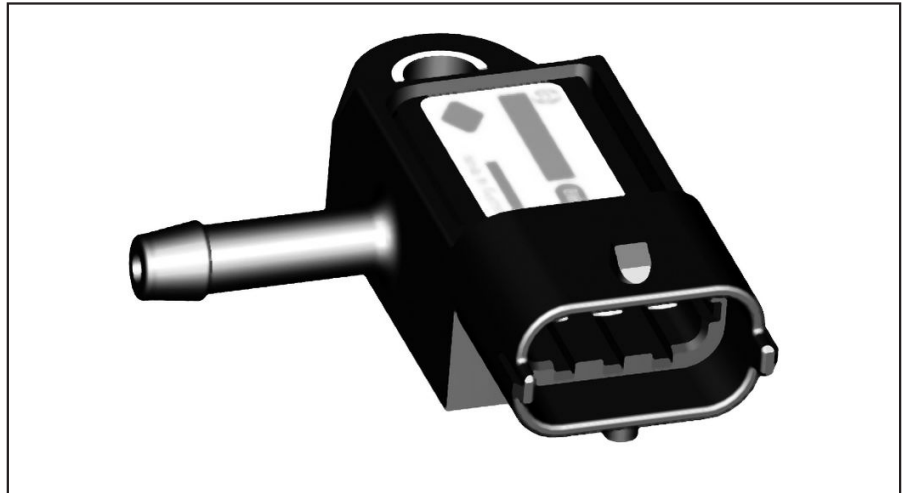
Absolute-pressure sensors

Micromechanics, hybrid design

Input quantity: P

Output quantity: U

- High level of accuracy
- EMC protection better than 100 V m⁻¹.
- With temperature compensation.
- Version with additional integrated temperature sensor.



Application

This sensor is used to measure the absolute intake-manifold pressure. The version with integrated temperature sensor additionally measures the temperature of the intake-air flow.

DAfter endurance testing
NAs new

Design and operation

The piezo-resistive pressure-sensor element and appropriate signal amplification and temperature compensation electronics are integrated on a silicon chip.

The measured pressure acts from above on the active side of the silicon diaphragm. A reference vacuum is enclosed between the rear side and a glass base. The temperature-sensor element is an NTC thermistor. Thanks to an appropriate coating method, the pressure and temperature sensor are resistant to the gases and liquids occurring in the intake manifold.

Installation instructions

The sensor is designed for attachment to a flat surface at the intake manifold of motor vehicles. The pressure connection and the temperature sensor jointly project into the intake manifold and are sealed off from the atmosphere by an O-ring. The sensor should be installed in the vehicle such that condensate cannot accumulate in the pressure cell (pressure sampling point at top of intake manifold, pressure connection angled downwards etc.).

Explanation of characteristic quantities

U_A Output voltage
 U_V Supply voltage
 k Tolerance multiplier

Robert Bosch GmbH
Automotive Aftermarket
Postfach 410960
76225 Karlsruhe
Germany

www.bosch-sensoren.de



BOSCH

Invented for life


BOSCH

Invented for life

Part number

0 281 002 593

Technical data

Parameter	min	type	max		
Pressure range kPa ($p_1 \dots p_2$)			20		250
Operating temperature	ϑ_B	°C	-40		+130
Supply voltage (1 min)	U_V	V	4,75	5	5,25
Current input at $U_V = 5$ V	I_V	mA	6	9	12,5
Load current at output	I_L	mA	-1		0,5
Load resistance to U_V or ground	$R_{\text{pull-up}}$	k Ω	5		
Load resistance to U_V or ground	$R_{\text{pull-down}}$	k Ω	10		
Response time	$\tau_{10/90}$	ms			1
Voltage limitation at $U_V = 5$ V - lower limit		V	0,25	0,3	0,35
Voltage limitation at $U_V = 5$ V - upper limit		V	4,75	4,8	4,85

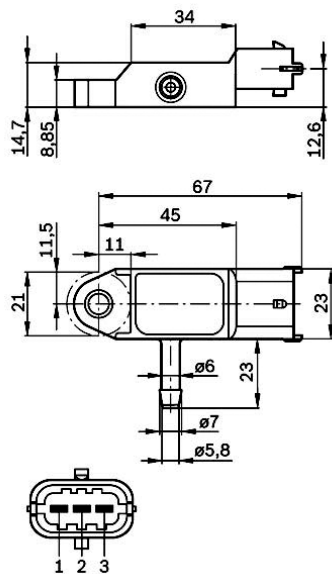
Limit data

Supply voltage	$U_{V\text{max}}$	V			16
Storage temperature	ϑ_L	°C	-40		+130

Temperature sensors

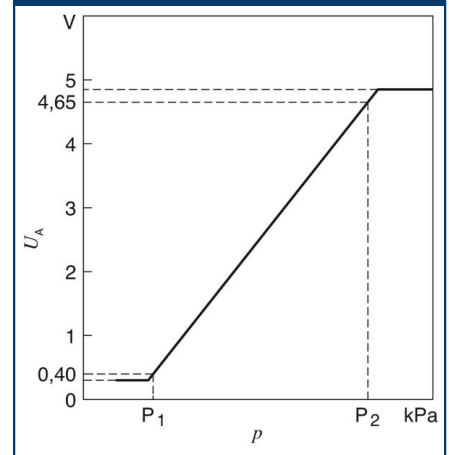
Accessories are not included in the scope of delivery of the sensor and are therefore to be ordered separately as required.

Dimensional drawing



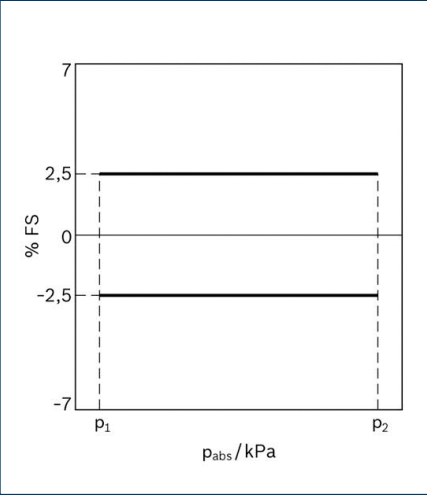
Pin 1 +5 V
 Pin 2 Ground
 Pin 3 Output signal

Characteristic curve

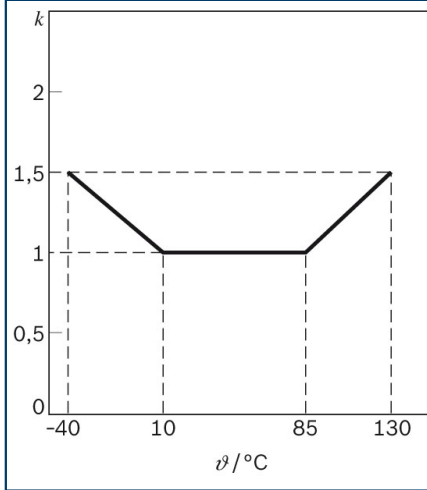




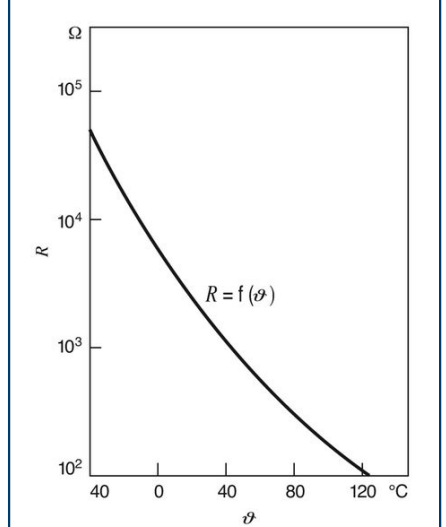
Characteristic-curve tolerance



Tolerance extension factor

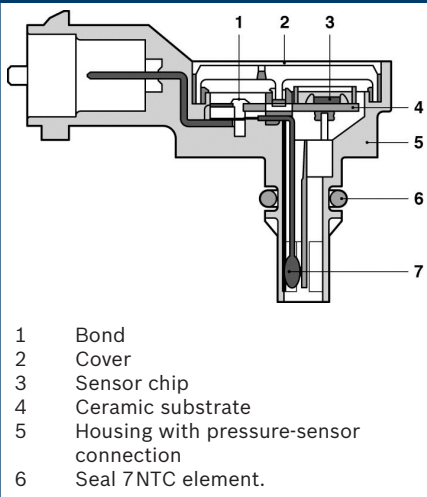


Characteristic curve for temperature sensor

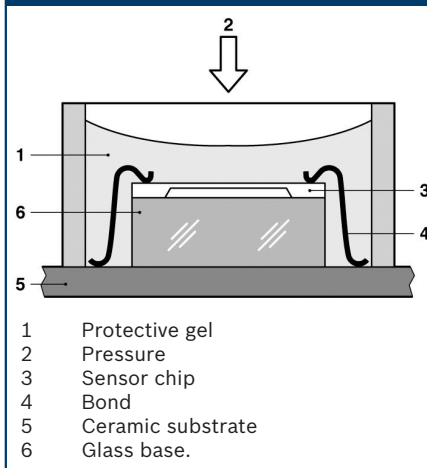


Applies to products with integrated temperature sensor.

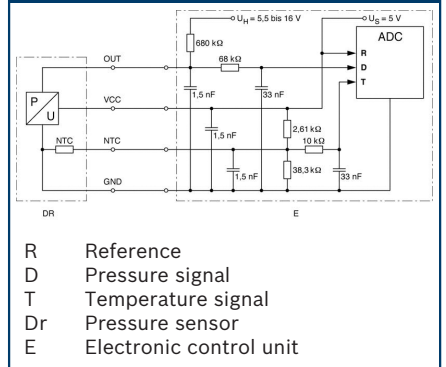
Section through pressure sensor



Section through sensor cell



Recommendation for signal evaluation.



Accessories

- Connector housing
- Contact pins
- Individual seals

	Quantity required: 1 x	1 928 403 966
	Quantity required: 3 x; Contents: 100 x	1 928 498 060
	Quantity required: 3 x; Contents: 10 x	1 928 300 599

Accessories are not included in the scope of delivery of the sensor and are therefore to be ordered separately as required.